

approx. 15 minutes

Mathematics Paper 3

Stage 8

Name.....

No additional materials are allowed.

Calculators are **not** allowed.

Half a mark will be awarded for each question answered correctly.

The total number of marks is 10.

For Teacher's Use	
Total	

V1

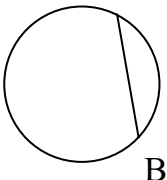


Write your answers here.

Time: 5 seconds

1	
----------	--

2		$\frac{2}{5}$
----------	--	---------------

3	<div style="text-align: center;">  </div> <p style="text-align: right;">.....</p>
----------	--

4		0.06
----------	--	------

5		ml
----------	--	----

6	
----------	--

7		$a \times a \times a$
----------	--	-----------------------

Write your answers here.

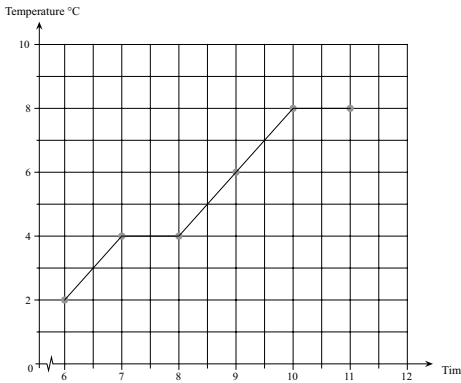
Time: 10 seconds

8	counters	24
----------	----------	----

9		$30 \times 29 = 870$
----------	--	----------------------

10	°	80° 30°
-----------	---	---------

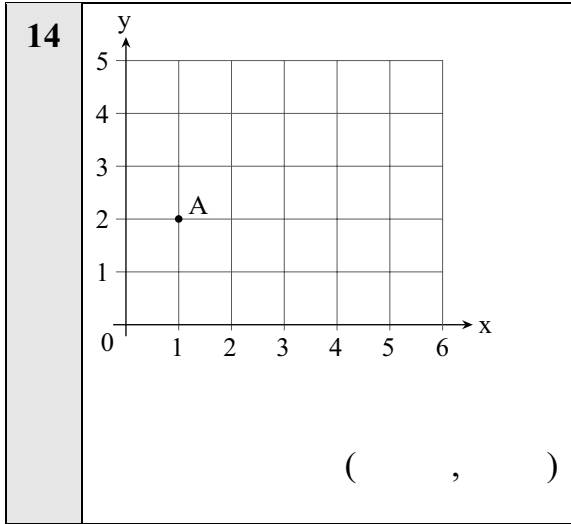
11		cents
-----------	--	-------

12	<div style="text-align: center;">  </div> <p style="text-align: right;">.....°C</p>
-----------	--

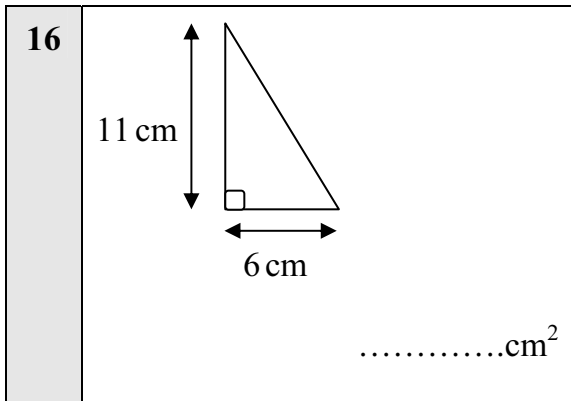
Write your answers here.

Time: 15 seconds

13		$2n + 1$
-----------	--	----------

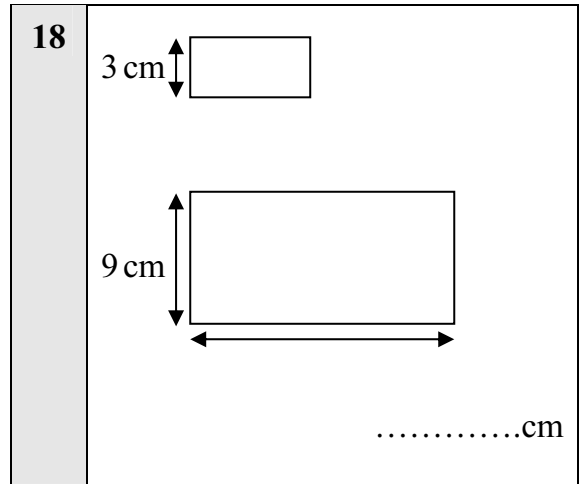


15		$3a + 2b$
-----------	--	-----------



Write your answers here.

17		12 girls 15 boys
-----------	--	---------------------



19	
-----------	--

20		$y = 3x - 2$
-----------	--	--------------

BLANK PAGE

Permission to reproduce items where third-party owned material protected by copyright is included has been sought and cleared where possible. Every reasonable effort has been made by the publisher (UCLES) to trace copyright holders, but if any items requiring clearance have unwittingly been included, the publisher will be pleased to make amends at the earliest possible opportunity.

University of Cambridge International Examinations is part of the Cambridge Assessment Group. Cambridge Assessment is the brand name of University of Cambridge Local Examinations Syndicate (UCLES), which is itself a department of the University of Cambridge.